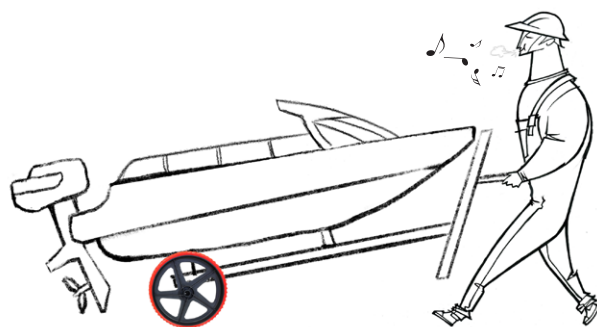


# WHEEL OF LAUNCHING TROLLEY.

REF.: 75-380



## TECHNICAL CHARACTERISTICS



### DOSISPRAY PUNCTURE PROOF TYRE.

- Outside diameter: 380 mm
- Axis diameter: 25 o 20 mm
- Wide tread: 75 mm
- Plastic rim of polypropylene
- Micro-expanded rubber wheel tread
- Total weight: 1,820 kg
- Total weight load: 120 kg
- Recyclable

